

RSA1 ALARM

RADON SYSTEM ALARM

The RadonAway RSA1 Radon System Alarm is an advanced vacuum monitoring device utilizing piezoresistive pressure sensor (PPS) technology. It provides homeowners with an easy-to-read, easy-to-use system monitor that requires no interpretation. Audible and visual indicators alert the homeowners to low radon system vacuum pressure in compliance with the latest ANSI/AARST *Soil Gas Mitigation Standards* system monitor requirements.

This monitor does not measure radon levels.

FEATURES

- Easy Installation
- Pipe or Wall Mount (2" - 6" Pipe)
- Battery Operated (No Wiring Required)
- Modern, Compact Design

- Vacuum Sensing
- Visual and Audible Indicators
- Alarm* and Service Delay Functions
- Hush and Test Buttons

*Visual alert only during first 48 hours, 7 days or 30 days depending on selected delay

RSA1 ALARM BENEFITS

The RadonAway RSA1 Radon System Alarm is more than just an alarm. It is a required radon system component that adds value as an important safety feature when installed. The RSA1 also provides a future income stream when you tie it into a service program that includes system inspection and retesting.



Added Value At a low additional cost, homeowners can be assured that they will be alerted if their radon system is not operating properly. As a safety feature and a system requirement it provides you with an add-on item that sells itself.



Return Business As part of a radon system service program, your one-time system installation customer becomes a long-term customer.



Mitigation Standard Compliance *Soil Gas Mitigation Standards for Existing Homes* (ANSI/AARST SGM-SF-2017) includes "Active Notification Monitors Required" (section 9.2.2), which states that "capacity for active visual and/or audible notification in the event of ASD (Active Soil Depressurization) fan or other mechanical failure shall be provided to actively warn occupants or other individuals responsible for monitoring." Installing the RSA1 Alarm with all your systems ensures that you are in compliance with this Radon Standard requirement.



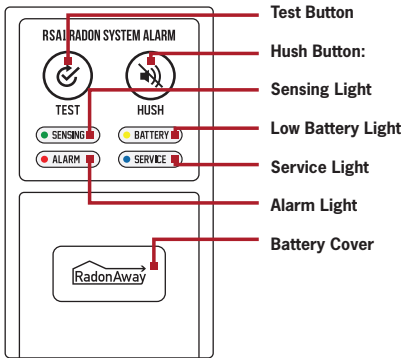
RSA1 ALARM



PACKAGE INCLUDES

- RSA1 Radon System Alarm
- Wall Mount Adapter
- Pipe Mount Adapter
- Flexible Connector Elbow
- Battery
- Product Instructions

FUNCTIONAL SPECIFICATIONS



Sensing Light
Normal Operation @:
 -0.1" WC to -20" WC



Service Light:
 Illuminates upon 3+ Alarm activations within the selected alarm delay duration



Hush Button:
 When pressed silences alarm for 7 days, also for alarm delay duration selection



Alarm Dimensions:
 2.19" x 3.75" x 1.37"
 (W x H x D)



Alarm Light:
 Illuminates @ $\geq 90\%$ reduction in baseline pressure



Low Battery Light:
 Illuminates @ < 3.35 Volts (uses 3.6V 1/2 AA Battery)



Test Button:
 When depressed activates audible alarm and illuminates lights



Overpressure Condition:
 ± 20 " WC (piezoresistive pressure sensor)

MOUNTING EXAMPLES



Remote horizontal pipe mount



Direct vertical pipe mount



Remote wall mount